



LEAHUA



Stellar 24

LH-ST2410

This manual contains important information.
Please read before operating fixture.

Guangzhou Leahua Lighting Technology Ltd
[http:// www.leahualighting.com](http://www.leahualighting.com)

Index

1. Safety Instructions	2
2. Technical Specifications	3
3. Operation	6
3.1 Board instruction	6
3.2 DMX address setting	7
4. DMX Protocol	9
5. Maintenance & Cleaning	10
5.1 Cleaning	10
5.2 Lubrication	10
5.3 Troubleshooting	10

Accessories

Name	Quantity	Remark
User manual	1pc	
Power cable	1pc	
DMX signal cable	1pc	
Safety cord	1pc	Optional

1. Safety Instructions

WARNING!!! To reduce the risk of fire, electric shock, or injury to persons, follow these important safety instructions:

- Check before use

Before operation, inspect the fixture for transportation damage. Do not use it if damaged. Unauthorized modification or improper use is not covered by warranty.

- Environment

The fixture is IP65-rated, suitable for indoor/outdoor use, and can operate in humid or dusty areas. Keep it away from excessive heat, fire, vibration, electrical surges, and strong light.

- Personnel & operation

Installation and operation must be performed by qualified personnel. Ensure all covers are securely in place, wear protective gear, and do not open the housing or attempt self-maintenance.

- Optical safety

Do not look directly into the light source. Do not use with dimmer packs. Maintain a minimum distance of 20 m from illuminated surfaces, and replace damaged optical components immediately.

- Electrical safety

Ensure correct voltage, proper grounding, and compliant power cords. Do not use damaged cables, and unplug by holding the plug. Avoid operating under heavy rain or extreme humidity, and avoid frequent on/off switching.

- Installation

Use the safety cord through the provided safety holes. Keep at least 50 cm ventilation clearance and do not mount on flammable surfaces or aim the beam at combustible objects (minimum 20 m).

- Temperature & normal conditions

Housing temperature may reach 45 – 75° C during operation. Slight smoke or odor may occur at first ignition and is considered normal.

2. Technical Specifications

Power

Input Voltage: AC100-240 V, 50/ 60 Hz

Power Consumption: 240W

Light source

Light Source: 24×10W RGBW LED

Beam Angle

Beam Angle: 22.9°

Field Angle: 44.3

Control

Control mode: DMX512, master-slave, auto, sound

Channel: 4/ 8CH

Dimming/Strobe

Dimming: 0-100% linear dimming system

Strobe: Strobe speed adjustable

Housing

Housing: Aluminum

Protection rate: IP65

Working temperature

Working temperature: -10°C-45°C

Connection

Power connection: Powercon in/out

DMX connection: DMX 3-pin in/ out

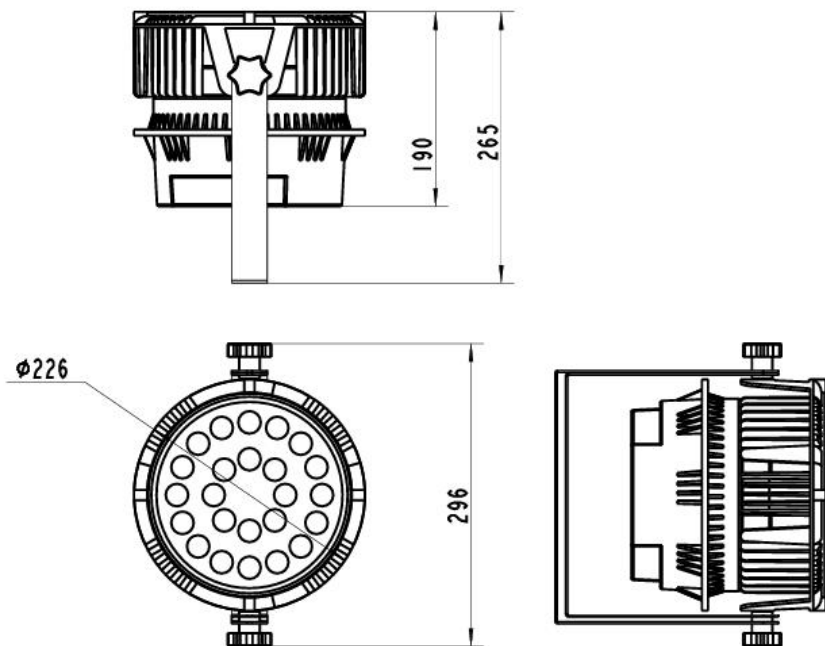
Product dimensions

296×226×265mm

Net weight

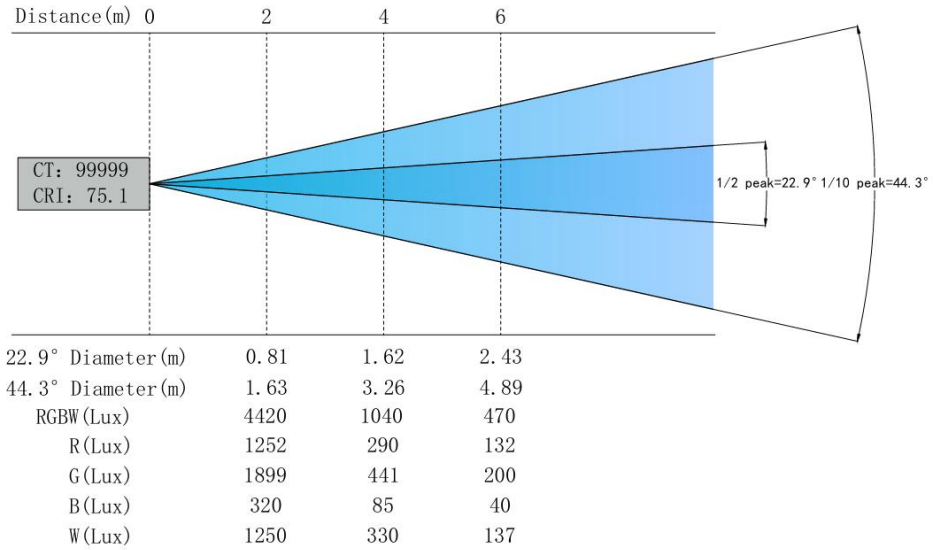
5.3kg

Dimensions:



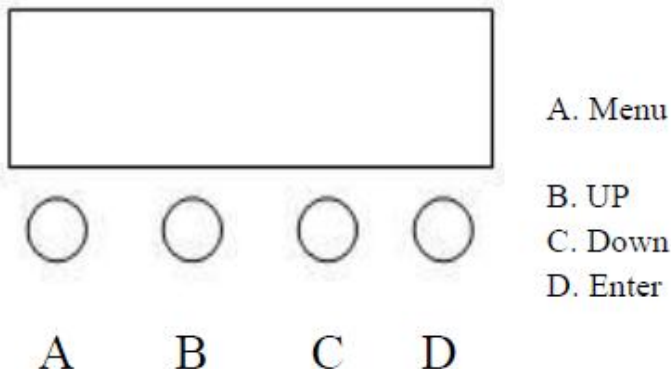
Light output:

Stellar 24



3. Operation

3.1 Board instruction:



Press **A** button, there will be eight different effects. The first two letters stands for functions (refer to Diagram II) The last two letters stands for DMX address, or speed,. You can modify it with **B** or **C** button. And press **D** button for confirmation.

Show	Function	Instruction
D001	DMX address(001-512)	DMX-512 address set,4 channels mode
A001	DMX address(001-512)	DMX-512 address set,8 channels mode
R255	Red(000-255)	Red dimmer,from dark to bright
G255	Green(000-255)	Green dimmer,from dark to bright
B255	Blue(000-255)	Blue dimmer,from dark to bright
U255	White(000-255)	White dimmer,from dark to bright
FH99	Strobe flash(01-99)	Strobe from slow to fast
CL01	Different color output(01-08)	Different color change

CC99	Color jump change (01-99)	Colorful jump,from slow to fast
DE99	Color gradate(01-99)	Colorful gradient,from slow to fast
CP99	Color pulse change(01-99)	Colorful pulse,from slow to fast
SU01	Color sound-active(01-09)	Sound control

3.2 DMX address setting:

Each fixture must be assigned a unique DMX start address within the 001 – 512 range. The start address represents the first channel the fixture occupies. This product provides two DMX modes (4/ 8CH) channels; therefore, the next fixture’s start address must be calculated according to the number of channels used in the selected mode to avoid overlapping addresses.

For example, when operating in 4 channel mode, set Fixture 1 to 001, Fixture 2 to 005 Fixture 3 to 009, Fixture 4 to 013, etc.

DMX Mode	Fixture1	Fixture2	Fixture3	Fixture4	...
4CH	001	005	009	013	...
8CH	001	009	017	025	...

connection of dmx-512 and connection with the light equipment

Please connect XLR-XLR control wire with every light from the output of DMX.

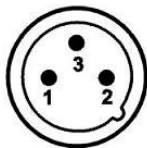
XLR connection :

DMX-OUTPUT



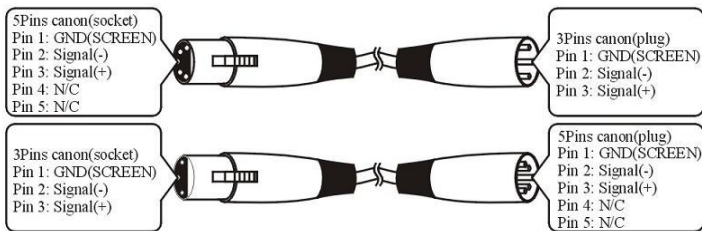
Pin 1: Screen
 Pin 2: Signal -
 Pin 3: Signal +

DMX-INPUT



Pin 1: Screen
 Pin 2: Signal -
 Pin 3: Signal +

ATTENTION: Please do remember to connect one circle circuit plug on the output signal of last equipment. And this circle circuit plug was connected a 120ohm resistance between terminals 2 and 3 of the CANON plug, connect this circle circuit plug can avoid the signal flash phenomena of signal DMX512 during the transmission.



4. DMX Protocol

4CH	8CH	Function	Explanation
	1	Dimmer	R.G.B.W.dimmer: from dark to bright
1	2	R dimmer	R dimmer: from dark to bright
2	3	G dimmer	G dimmer:from dark to bright
3	4	B dimmer	B dimmer:from dark to bright
4	5	W dimmer	W dimmer:from dark to bright
	6	Strobe	R,G,B,W strobe : from slow to fast
	7	Function choice	0-50:no function
			51-100:different colors output:8Colors
			101-150:colors jump change
			152-200:color gradate
			201-250:color pulse change
			251-255:Sound-active
	8	Function Speed	Speed function,from slow to fast

5. Maintenance & Cleaning

Regular maintenance is essential to ensure optimal performance and extend the service life of the fixture.

5.1 Cleaning

Disconnect the unit from power before any cleaning work.

Use a soft, lint-free cloth slightly dampened with mild detergent to clean the exterior surfaces.

Gently remove dust from ventilation slots, optical lenses, and cooling components using compressed air or a soft brush.

Avoid using solvents, alcohol, or abrasive materials that may damage the housing or optical elements.

5.2 Lubrication

This fixture is designed with sealed or maintenance-free moving parts.

Under normal operating conditions, no additional lubrication is required.

If abnormal noise or movement resistance is observed, contact qualified service personnel before applying any lubricant.

5.3 Troubleshooting

If the fixture does not power on, verify the power supply, cables, and connectors.

For control issues, check DMX addressing, cable integrity, and ensure proper 3-pin/5-pin XLR connections.

Overheating or unexpected shutdown may indicate blocked ventilation; inspect and clean air inlets and outlets.

If problems persist after basic checks, discontinue use and contact authorized service technicians.



LEAHUA

Guangzhou Leahua Lighting Technology Ltd

Rm 1004, Building A
Baiyun Lake Future Technology Center
No,1 Xinghu Street, Shimen, Baiyun district
Guangzhou 510440, China
