



LEAHUA



Li-Bar 24 IP

LH -LB24

This manual contains important information.
Please read before operating fixture.

Guangzhou Leahua Lighting Technology Ltd
[http:// www.leahualighting.com](http://www.leahualighting.com)

Index

1. Safety Instructions	2
2. Appearance	3
3. Technical Specifications	4
4. Operation	7
4.1 DMX protocol connection	7
4.2 Board instruction:	7
4.3 DMX address setting:	8
5. DMX Protocol	10
6. Maintenance & Cleaning	12
6.1 Cleaning	12
6.2 Lubrication	12
6.3 Troubleshooting	12

Accessories

Name	Quantity	Remark
User manual	1pc	
Power cable	1pc	
DMX signal cable	1pc	
Safety cord	1pc	Optional

1. Safety Instructions

WARNING!!! To reduce the risk of fire, electric shock, or injury to persons, follow these important safety instructions:

- Check before use

Before operation, inspect the fixture for transportation damage. Do not use it if damaged. Unauthorized modification or improper use is not covered by warranty.

- Environment

The fixture is IP65-rated, suitable for indoor/outdoor use, and can operate in humid or dusty areas. Keep it away from excessive heat, fire, vibration, electrical surges, and strong light.

- Personnel & operation

Installation and operation must be performed by qualified personnel. Ensure all covers are securely in place, wear protective gear, and do not open the housing or attempt self-maintenance.

- Optical safety

Do not look directly into the light source. Do not use with dimmer packs. Maintain a minimum distance of 20 m from illuminated surfaces, and replace damaged optical components immediately.

- Electrical safety

Ensure correct voltage, proper grounding, and compliant power cords. Do not use damaged cables, and unplug by holding the plug. Avoid operating under heavy rain or extreme humidity, and avoid frequent on/off switching.

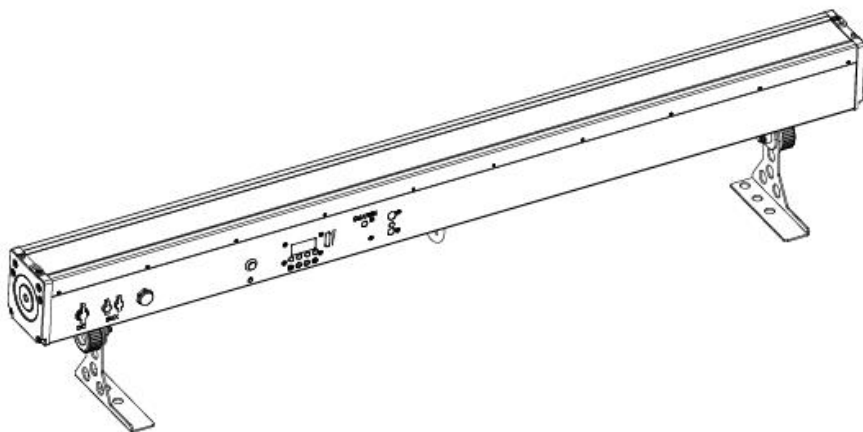
- Installation

Use the safety cord through the provided safety holes. Keep at least 50 cm ventilation clearance and do not mount on flammable surfaces or aim the beam at combustible objects (minimum 20 m).

- Temperature & normal conditions

Housing temperature may reach 45 – 75° C during operation. Slight smoke or odor may occur at first ignition and is considered normal.

2. Appearance



3. Technical Specifications

Power

Input Voltage: AC 100-240V/50-60Hz

Power Consumption:100W

Light source

Light Source: 24×4W RGBW LED

Life expectancy: 20000 hours(factory rated)

Beam Angle

Beam Angle: 15°

Field Angle: 34°

Control

Control mode:DMX512, master-slave, auto, sound, remote, wireless

Channel: 6/ 8/ 14/ 50CH

Dimming/Strobe

Dimming: 0-100% linear dimming system

Strobe:0-24 F.P.S, speed adjustable

Other Function

Create dazzling effects with 8control.

Housing

Housing: Aluminium alloy

Protection rate: IP65

Working temperature

Working temperature: -10°C- 45°C

Connection

Li-Bar 24 IP

Power connection: Powercon in/ out

DMX connection: DMX 3pin in/ out

Battery

Battery Type: Lithium ion

Battery Power: 324Wh; 12V, 27Ah

Battery Charge Time: About 6 hours (full power)

Battery Life: About 4.5hours (all on), about 18hours (signal color)

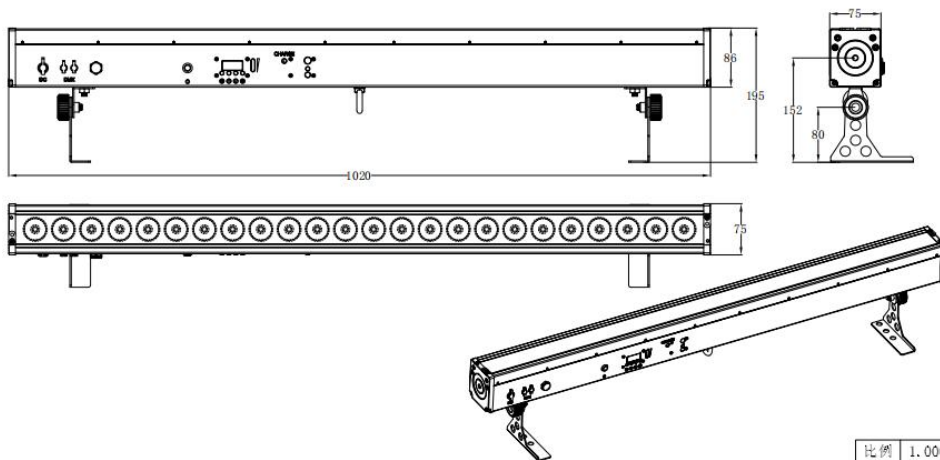
Product dimensions

1020×75×195mm

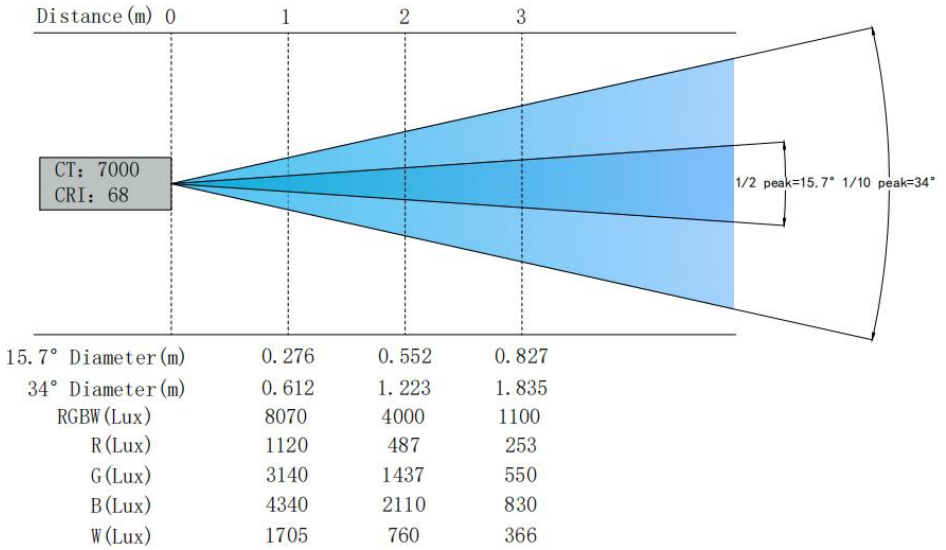
Net weight

6.55kg

Dimensions:



Light output:



4. Operation

4.1 DMX protocol connection

Please connect XLR-XLR control wire with every light from the output of DMX.

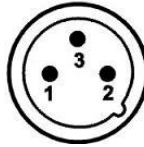
XLR connection:

DMX-OUTPUT



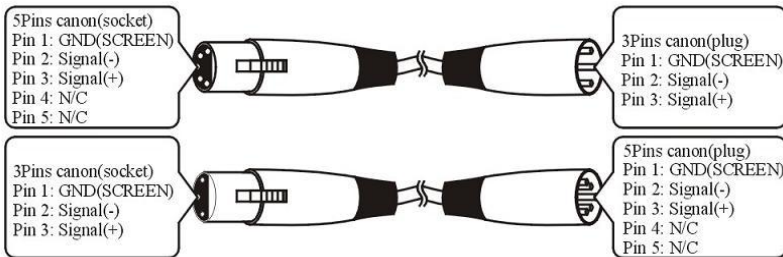
Pin 1: Screen
 Pin 2: Signal -
 Pin 3: Signal +

DMX-INPUT



Pin 1: Screen
 Pin 2: Signal -
 Pin 3: Signal +

ATTENTION: Please do remember to connect one circle circuit plug on the output signal of last equipment. And this circle circuit plug was connected a 120ohm resistance between terminals 2 and 3 of the CANON plug, connect this circle circuit plug can avoid the signal flash phenomena of signal DMX512 during the transmission.



4.2 Board instruction:

Addr	A001-A512	DMX Address selection
Chnd	6/8/14/50ch	Channel selection
SInD	MAst/d512/SIAU	Master slave selection
Soun	So 0-16	Sound control effect selection
	Se 99-0	Sound control sensitivity adjustment

Auto	Au 0- Au16	Auto effect selection
	SP 0-SP 9	Auto effect speed adjustment
Colo	Co 1-Co 12	Color selection
Manu	Red 0-255	Red dimmer
	Gree 0-255	Green dimmer
	Blue 0-255	Blue dimmer
	Whit 0-255	White dimmer
disp	ds!p	Digital display flip setting
2-4G	On/off	Wireleess on/off
ver	V10	Current software version

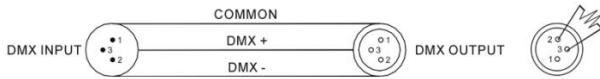
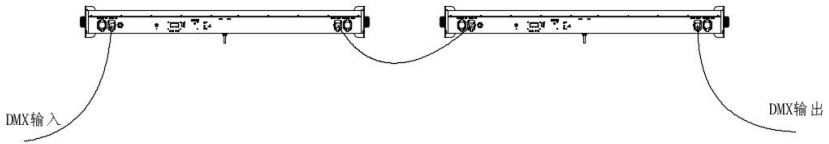
4.3 DMX address setting:

Each fixture must be assigned a unique DMX start address within the 001 – 512 range. The start address represents the first channel the fixture occupies. This product provides four DMX modes (6/ 8/ 14/ 50CH channels); therefore, the next fixture's start address must be calculated according to the number of channels used in the selected mode to avoid overlapping addresses.

For example, when operating in 6 channel mode, set Fixture 1 to 001, Fixture 2 to 007, Fixture 3 to 0013, Fixture 4 to 019, etc.

DMX Mode	Fixture1	Fixture2	Fixture3	Fixture4	...
6CH	001	7	13	19	...
8CH	001	9	17	25	...
14CH	001	15	29	43	...
50CH	001	51	101	151	...

Li-Bar 24 IP



5. DMX Protocol

6CH	8CH	14CH	50CH	DMX Value	Function	
*	1	*	*	0-255	Master dimming	
*	2	*	*	0-255	Strobe	
1	3	*	*	0-255	Red 0-100%	
2	4	*	*	0-255	Green 0-100%	
3	5	*	*	0-255	Blue 0-100%	
4	6	*	*	0-255	White 0-100%	
*	*	1	1	0-255	Dimming 1	
		2	2	0-255	Strobe1	
		3	3	0-255	Red 1 0-100%	
		4	4	0-255	Green 1 0-100%	
		5	5	0-255	Blue 1 0-100%	
		6	6	0-255	White 1 0-100%	
		7	7	0-255	Dimming 2	
		8	8	0-255	Strobe2	
		9	9	0-255	Red 2 0-100%	
		10	10	0-255	Green 2 0-100%	
		11	11	0-255	Blue 2 0-100%	
		12	12	0-255	White 2 0-100%	
		*	*	13	0-255	Dimming 3
		*	*	14	0-255	Strobe3
		*	*	15	0-255	Red 3 0-100%
		*	*	16	0-255	Green 3 0-100%
		*	*	17	0-255	Blue 3 0-100%
		*	*	18	0-255	White 3 0-100%
		*	*	19	0-255	Dimming 4
		*	*	20	0-255	Strobe4
		*	*	21	0-255	Red 4 0-100%
		*	*	22	0-255	Green 4 0-100%

			23	0-255	Blue 4 0-100%
			24	0-255	White 4 0-100%
			25	0-255	Dimming 5
			26	0-255	Strobe5
			27	0-255	Red 5 0-100%
			28	0-255	Green 5 0-100%
			29	0-255	Blue 5 0-100%
			30	0-255	White 5 0-100%
			31	0-255	Dimming 6
			32	0-255	Strobe6
			33	0-255	Red 6 0-100%
			34	0-255	Green 6 0-100%
			35	0-255	Blue 6 0-100%
			36	0-255	White 6 0-100%
			37	0-255	Dimming 7
			38	0-255	Strobe7
			39	0-255	Red 7 0-100%
			40	0-255	Green 7 0-100%
			41	0-255	Blue 7 0-100%
			42	0-255	White 7 0-100%
			43	0-255	Dimming 8
			44	0-255	Strobe8
			45	0-255	Red 8 0-100%
			46	0-255	Green 8 0-100%
			47	0-255	Blue 8 0-100%
			48	0-255	White 8 0-100%
5	7	13	49	0-255	Color Macro, See Color Macro Table
6	8	14	50	0-255	Macro Speed Slow To Fast

6. Maintenance & Cleaning

Regular maintenance is essential to ensure optimal performance and extend the service life of the fixture.

6.1 Cleaning

Disconnect the unit from power before any cleaning work.

Use a soft, lint-free cloth slightly dampened with mild detergent to clean the exterior surfaces.

Gently remove dust from ventilation slots, optical lenses, and cooling components using compressed air or a soft brush.

Avoid using solvents, alcohol, or abrasive materials that may damage the housing or optical elements.

6.2 Lubrication

This fixture is designed with sealed or maintenance-free moving parts. Under normal operating conditions, no additional lubrication is required.

If abnormal noise or movement resistance is observed, contact qualified service personnel before applying any lubricant.

6.3 Troubleshooting

If the fixture does not power on, verify the power supply, cables, and connectors.

For control issues, check DMX addressing, cable integrity, and ensure proper 3-pin/5-pin XLR connections.

Overheating or unexpected shutdown may indicate blocked ventilation; inspect and clean air inlets and outlets.

If problems persist after basic checks, discontinue use and contact authorized service technicians.



LEAHUA

Guangzhou Leahua Lighting Technology Ltd

Rm 1004, Building A
Baiyun Lake Future Technology Center
No,1 Xinghu Street, Shimen, Baiyun district
Guangzhou 510440, China
